

# Eden



## Specifications

Dimensions: 60 x 60 x 19"

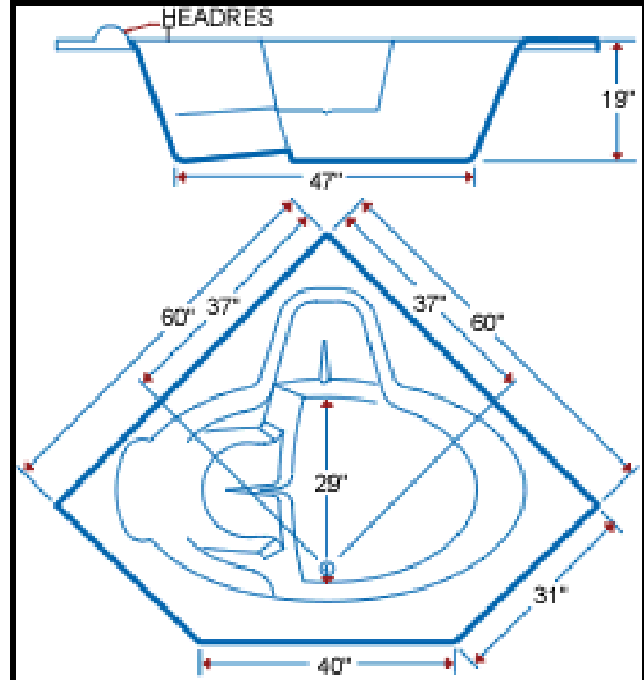
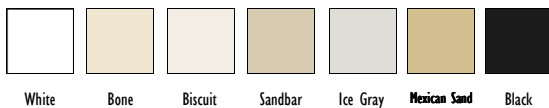
Water Capacity: 75 Gallons

Drain Position: 37 x 37"

Number of Jets: 6

*Note: Dimensions may vary + - 1/2 inch*

## Colors Available



[www.whitewaterinc.com](http://www.whitewaterinc.com)

**Utah County Showroom**  
801-785-3554  
195 S. Geneva Rd.  
Lindon, UT 84042

**Sandy Showroom**  
801-566-8555  
9160 S. 300 W. #5  
Sandy, UT 84070

**Layton Showroom**  
801-547-5005  
377 Marshall Way #6  
Layton, UT 84041

**St. George Showroom**  
435-688-0390  
Dealer