

Marquee



Specifications

Dimensions: 60" x 42" x 20"

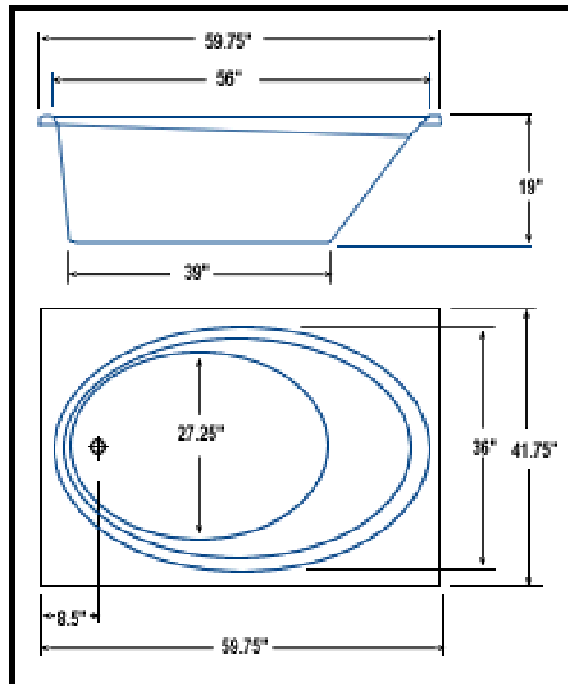
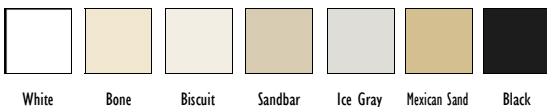
Water Capacity: 70 Gallons

Drain Position: 9.75" & Centered

Number of Jets: 6

Note: Dimensions may vary + - 1/2 inch

Colors Available



www.whitewaterinc.com

Utah County Showroom
801-785-3554
195 S. Geneva Rd.
Lindon, UT 84042

Sandy Showroom
801-566-8555
9160 S. 300 W. #5
Sandy, UT 84070

Layton Showroom
801-547-5005
377 Marshall Way #6
Layton, UT 84041

St. George Showroom
435-688-0390
Dealer